

## tii 3310D-11

### *ADSL POTS Splitter Outdoor Ancillary Device for ADSL2+ and IPTV Services*

Indoor/Outdoor Housing for Wall  
or Conduit Mounting

Circuit Approved by Calix, IOL for  
ADSL2+, IPTV Deployment

Meets IPTV Ring Trip Saturation  
Current Requirements

Wiring Terminals for Each Splitter  
Port (Network, Voice Data)

Provides Network Test Signature



tii 3310D-11

The tii 3310D-11 DSL POTS Splitter Outdoor Ancillary Device for ADSL2+ and IPTV services splits the combined voice and data signal carried on telephone lines to provide separate outputs for both phone and data services. Asymmetrical Digital Subscriber Line (ADSL) provides high-bit-rate digital information over telephone subscriber lines. The tii 3310D-11 utilizes enhanced circuit components to meet ADSL2+ services for IPTV requirements.

#### KEY PRODUCT BENEFITS

- ▶ Designed for use at the customer premises.
- ▶ Molded of durable, weather-resistant thermoplastic that is made to resist cracking, crazing and discoloration.
- ▶ Screw terminals provide simple means to terminate network, voice and data wires.
- ▶ Base includes flexible wire grommet to seal wiring exit area, allowing room for drop and station wiring.
- ▶ Convenient side latch closes unit securely to provide maximum protection against environmental conditions and the intrusion of any foreign matter.
- ▶ The enhanced splitter design makes it possible to use a single phone line to provide both telephone, ADSL2+, and IPTV services.

#### INDUSTRY STANDARDS

- ▶ ANSI T1.424 compliant.
- ▶ Listed to UL 1863 as a communication circuit accessory.

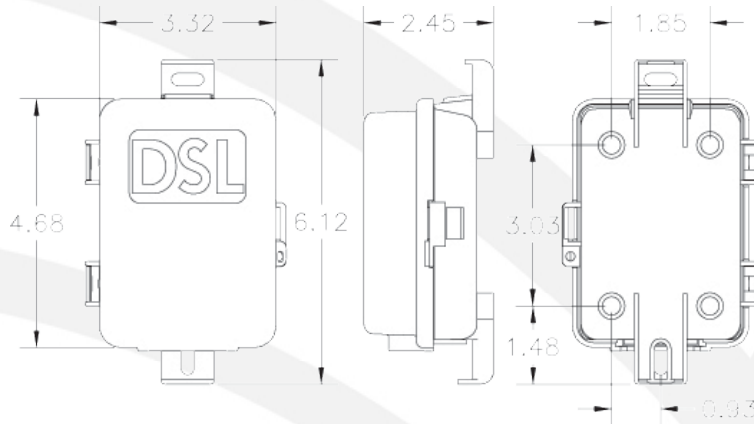


tii network technologies

141 Rodeo Drive  
Edgewood, NY 11717  
T. 631.789.5000  
Toll Free 888.844.4720  
F. 631.789.5063  
sales@tiinettech.com

[www.tiinettech.com](http://www.tiinettech.com)

# tii 3310D-11



Dimensions are in Inches

## SPECIFICATIONS

### Electrical (Complies with ANSI t1.424 Issue 2 Annex E)

DC Loop Current	0 to 100 mA
DC Loop Voltage	0 to -60 V dc
Ringing Signals	103 Vrms superimposed on the DC Loop Voltage, 20 - 30 Hz
DC Resistance	< 25 ohms, POTS tip-to-ring with Line port (U-R) shorted
Insertion Loss (Short & Long Loop)	≤ 0.5 dB
Tip-to-Ring Capacitance, POTS port	20 ≤ C ≤ 100 nF; 20 - 30 Hz
Input Impedance (Measured Level)	≤ 0.25 dB; 30 - 2200 kHz, Ztr = 600
Attenuation Distortion (Voice Band), increase relative to Insertion Loss at 1004 kHz	+0.7 to -0.5dB; 200 - 3.4 kHz, short loop, ZTc = 900, ZTr = 600 +0.7 to -0.5dB; 3.4 - 4.0 kHz, short loop, ZTc = 900, ZTr = 600 +0.4 to -0.5dB; 200 - 3.4 kHz, long loop, ZTc = 900, ZTr = 600 +0.5 to -0.5dB; 3.4 - 4.0 kHz, long loop, ZTc = 900, ZTr = 600
Delay Distortion (Voice Band)	< 25μs
Return Loss (Voice Band) (Short & Long Loop)	> 7 dB
Longitudinal Balance, Two Port Technique, DSL to Line Port (U - R) and Line Port (U - R) to POTS	> 60 dB; 30 - 1100 kHz > 55 dB; 1100 - 2200 kHz
Capacitance to Ground, POTS Port	≤ 1.0 nF; 20 - 30 Hz
ADSL2+ Band Attenuation	> 65 dB; 30 - 2200 kHz
DC Current Influence (Ring Trip)	< 2% up to 300 mA
Intermodulation Distortion (MTPR)	30 - 2200 kHz
Network Test Signature @ 25 Hz	45 - 50K ohms

### Environmental

Lightning Surge	GR-1089 CORE Level 1 and Level 2 Surge
Power Cross	GR-1089 CORE First and Second Level AC Power Fault Immunity
Operating Temperature	-40 to +65 °C (-40 to 149 °F)
Relative Humidity	0 to 95%, non-condensing
UL Listed	As a communication circuit accessory

## ORDERING INFORMATION

Standard Package:	25 Pieces
Weight:	0.44 lbs. each